

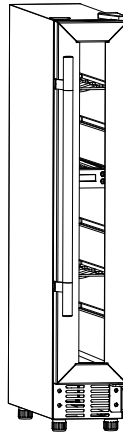


High Quality Wine Storage

THERMOELECTRIC WINE COOLER

Operation Manual

Model No:WF-7



Read this manual carefully before using this product.

Follow all warnings and instructions.

Keep it for further reference.

Index

General safety Precautions-----	3
Technical Data-----	4
Illustrated Structure-----	5
Electric Principle Diagram-----	6
Operation-----	7
Particular Precautions-----	8
Maintenance-----	8
Troubleshooting-----	9

GENERAL SAFETY PRECAUTIONS

● After removing the refrigerator from the package, make sure it is in good condition. In case of doubt, do not use it and contact an authorized service center.

● Plastic bags, nail, etc. should be kept out of reach of children. Read the operation manual carefully and check that the voltage rating is corresponding to your local power supply.

● This refrigerator should only be used as specified. The manufacturer will not be held responsible for any damage due to improper use or repairs made by unqualified personnel.

● Before cleaning the refrigerator, make sure it is unplugged. Never clean the unit with an acid preparation, medical solution, dilution, gasoline, oil or any other kind of chemical substance that could damage the refrigerator.

● Repair should only be made by authorized service centers.

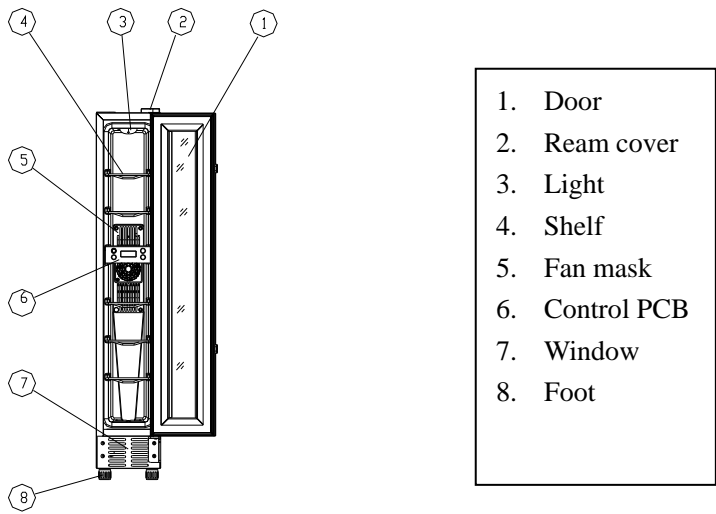
●! Caution

1. To reduce the risk of fire, replace only with same type fuse.
2. Do not use extension cords.
3. Danger: Risk of child entrapment, you must noted: a. Take off the door; b. Leave the shelves in place, so that children may not easily climb inside.

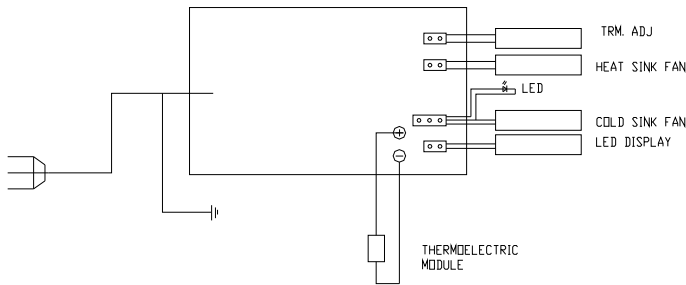
TECHNICAL DATA

Type		WF-7
Volume(liter)		20L
Material	Case	Iron
	Door	Glass
Unit Dimension (WxHxD)(mm)		150x864x554
Packaging Dimension (WxHxD)(mm)		190x900x600
Net Weight(KG)		13
Gross weight(KG)		14.5
Power Consumption		75W
Fitting ambient temperature range of working		<25°C
Temperature range		8°C-22°C
Rated Voltage		AC230V
Rated Frequency		50Hz

ILLUSTRATED STRUCTURE



ELECTRIC PRINCIPLE DIAGRAM



OPERATION OF WINE COOLER

● This product is for storage of things with temperature rang from 10°C to 18°C. Control panel is in the middle of the box with LED temperature display window in the middle.

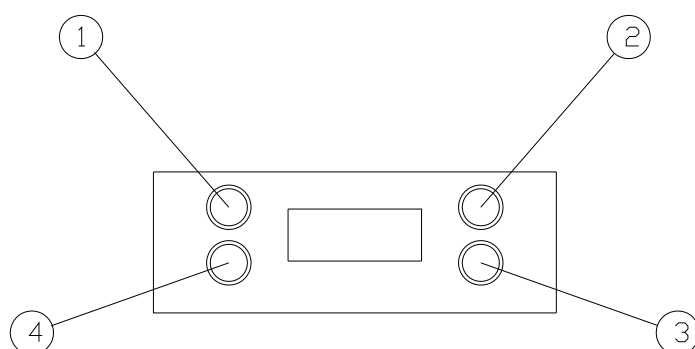
You can use this wine cooler as following indication:

Button ① for choice Celsiur or Fahrenheit scale.

Button ② for setting the temperature up.

Button ③ for setting the temperature down.

Button ④ for turning on/off the light.



PARTICULAR PRECAUTIONS

- ! In order to function at its highest potential, this wine cooler needs be placed on flat floor, with 10cm space at the backside.
- ! Use the adjustable iron case to place the cellar fully horizontal.
- ! Avoid direct sunshine and high temperature.
- ! Avoid this wine cooler fallen, it must be embedded in cabinet or other furniture.

MAINTENANCE

- ! Shut off power supply before cleaning cabinet.
- ! Take out wine and shelves, and then clean the cabinet with soda water first and with clean water last.
- ! Do not use soap or detergent for the cabinet.
- ! Clean the cellar regularly.

TROUBLE SHOOTING.

Symptoms	Possible cause	solutions
No cooling	<ul style="list-style-type: none"> ●! Plug not put in ●! Low voltage ●! Fuse broken 	<ul style="list-style-type: none"> ●! Put in plug ●! Ensure normal voltage ●! Change fuse
Temperature inside not cold enough	<ul style="list-style-type: none"> ●! The refrigerator is placed too close to a heat source ●! Bad ventilation ●! Fans don't work ●! The door is not closed tightly or opened too frequently or for too long time. 	<ul style="list-style-type: none"> ●!Keep the refrigerator away from sunshine or other heat source ●!Place the refrigerator in the area with good ventilation and keep things away from the fans ●!Check whether the plug is connected or change the fan ●!Close the door tightly and don't open the door too frequently or for too long time
Peculiar smell inside refrigerator	Check whether there is anything sour inside	Wrap the source or take it out
Inside light flashes	<ul style="list-style-type: none"> ●! Set temperature higher than inner ●! The automatic defrost function start to work 	<ul style="list-style-type: none"> ●! Adjust the adjustor ●! Normal function. No repair needed
Frost on the cold sink	Too much humidity or too low temperature inside the case	Output the plug, stop the power, and defrost by hand, connect power again when the ice thaws.

